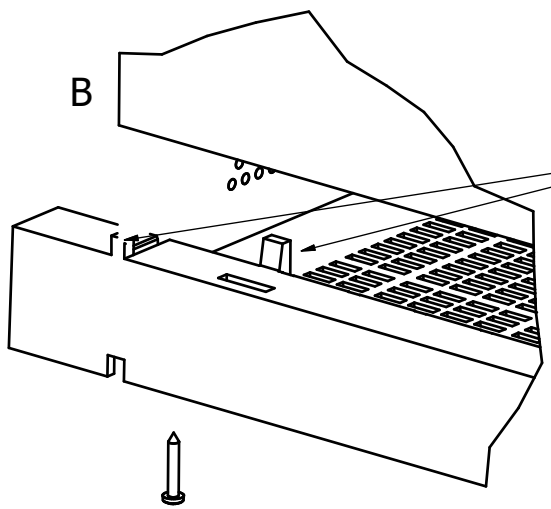


FIX THE BOTTOM WITH SCREWS Art.V08 OR WITH SPRING HOOK Art.G02

V08 - Galvanized screws for plastic handles/bottom.

G02 - SPRING HOOK with 3 screws



The bottom can have 6 pegs.A necessary feature for PRINTING,
The presence or absence does not affect the use of the bottom.
(They are not for centering the hive body or hatch).

