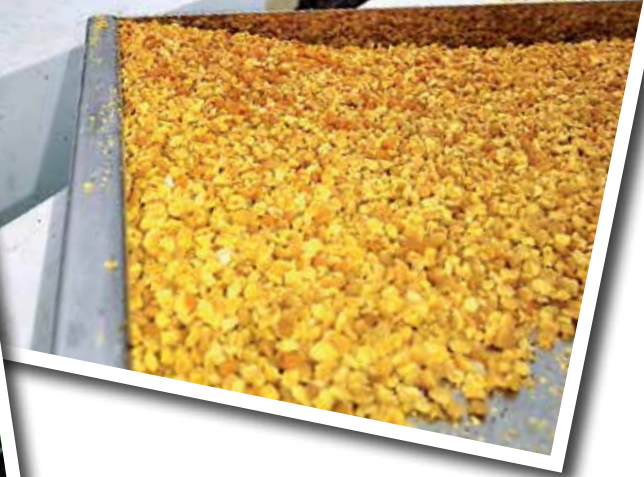




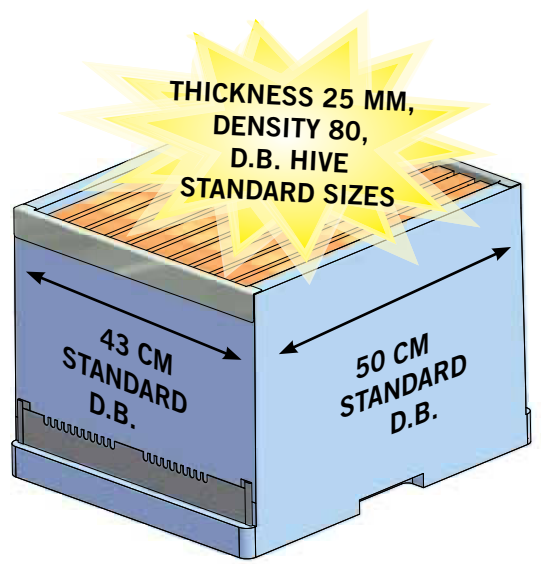
# La 10 Quarti!

2014

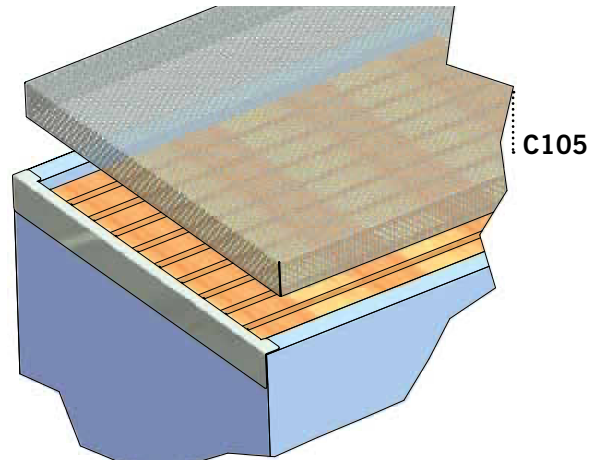
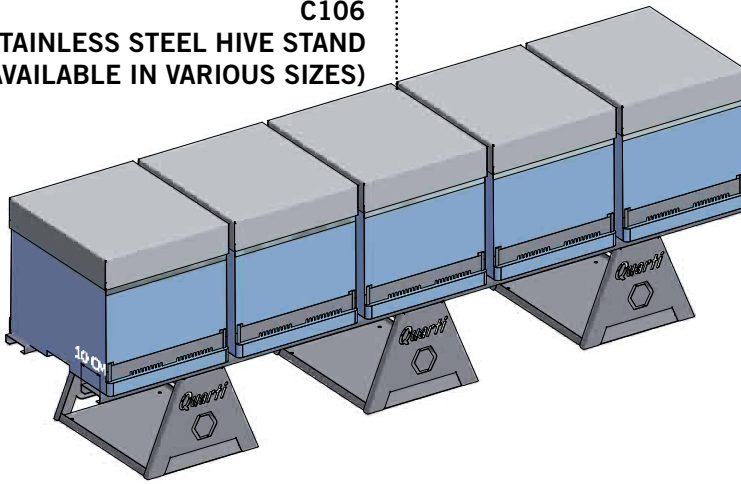
Quarty Italy srl - Via San Pietro 20  
24030 Barzana Bergamo Italy  
[www.quartyitaly.com](http://www.quartyitaly.com) - [enricoq@tin.it](mailto:enricoq@tin.it)  
Tel. 035 54 97 08



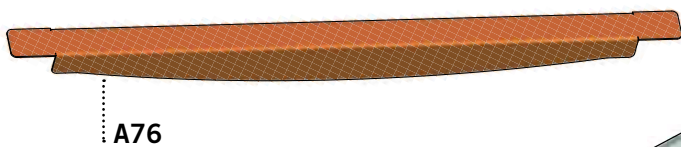
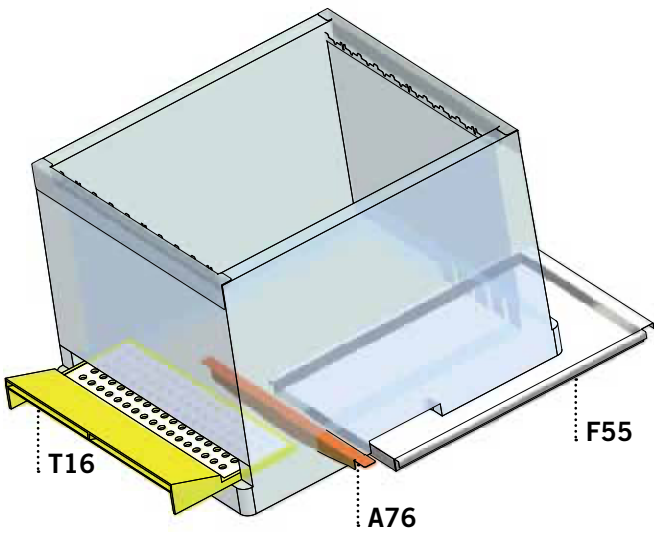




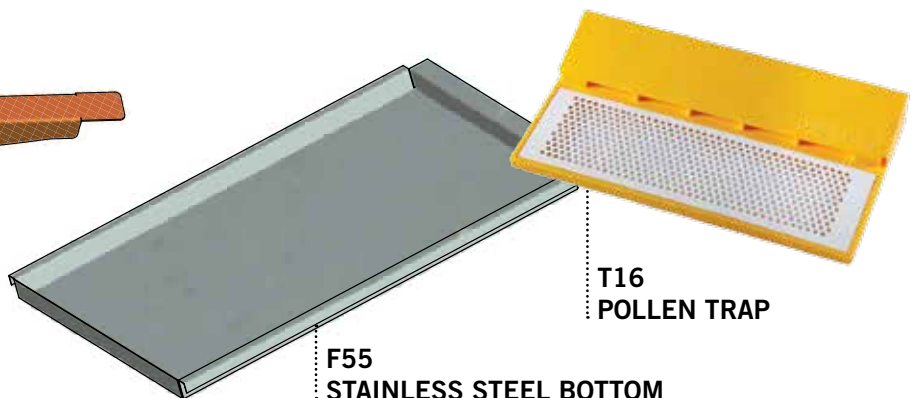
**C106**  
STAINLESS STEEL HIVE STAND  
(AVAILABLE IN VARIOUS SIZES)



## SET FOR POLLEN COLLECTION



**A76**



**T16**  
POLLEN TRAP

**F55**  
STAINLESS STEEL BOTTOM

**PATENTED  
MODEL**

## A75 optionals

## A75 - La Quarti 2014 di serie

1 LT ROUND FEEDER (ART. N01)

10-PLACE SUPER  
FOR 9 WOODEN COMBS  
(ART. M12)

DIAPHRAGM  
FOR 5+5 (ART. D33)

NEST-TYPE POCKET  
FEEDER (ART. N02)

ISOLATOR  
FOR BROOD STOPPER (ART. E14)

TRANSPORT  
HANDLE (ART. M59)

METAL PLATE ROOF  
(ART. T00)

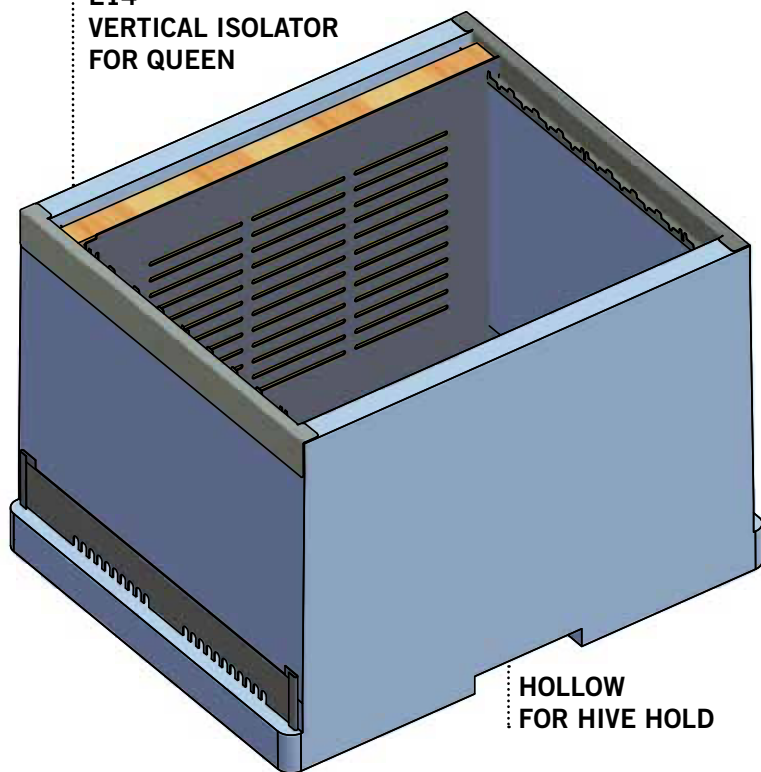
HIGH COMB-COVER AND FEEDER  
WITH C97 BELL  
AND D03 4-POSITION DISK  
(ART. C103)

PRE-COLOURED  
HIGH-DENSITY POLYSTYRENE  
HIVE BODY (ART. A75)

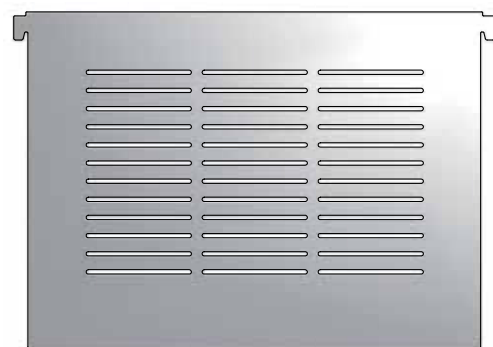
STANDARD GALVANISED  
SHEET IRON BOTTOM (ART. F54)

GALVANISED SHEET  
IRON DOOR (ART. P23)

E14  
VERTICAL ISOLATOR  
FOR QUEEN

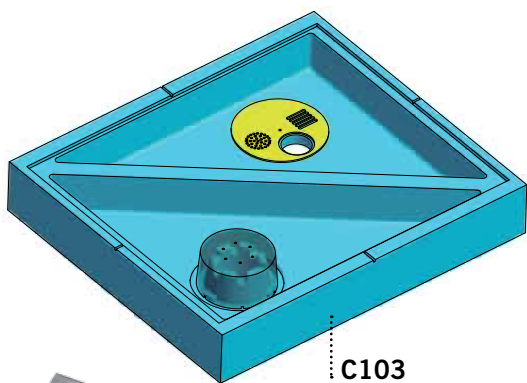
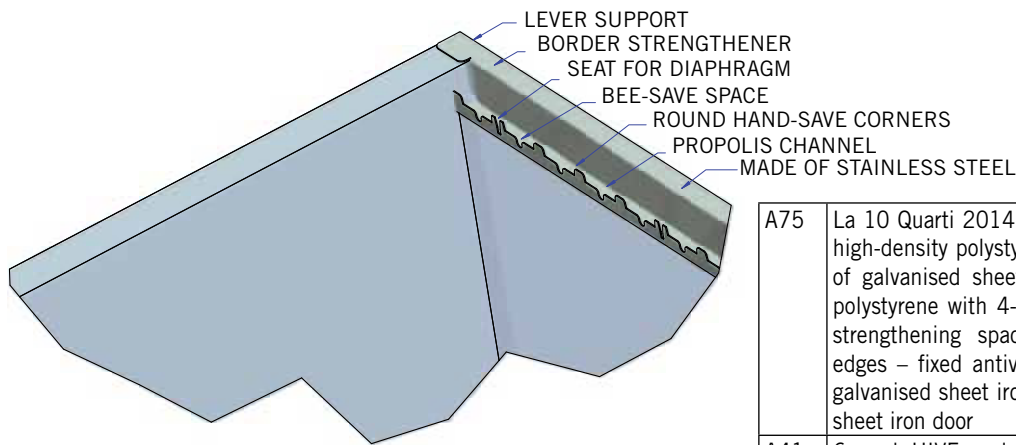


A33



E14





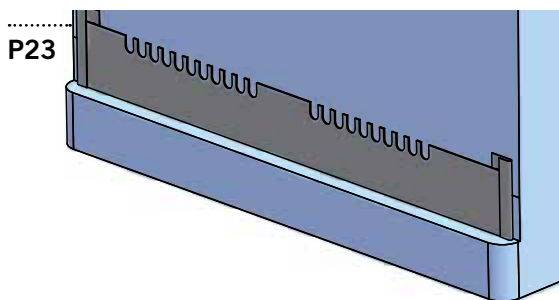
C103



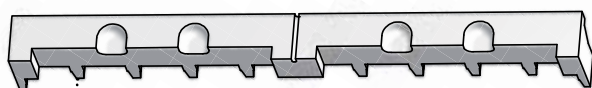
L16

\* welded and screwed with an anti-drowning mesh for bees

N02



P23



P22

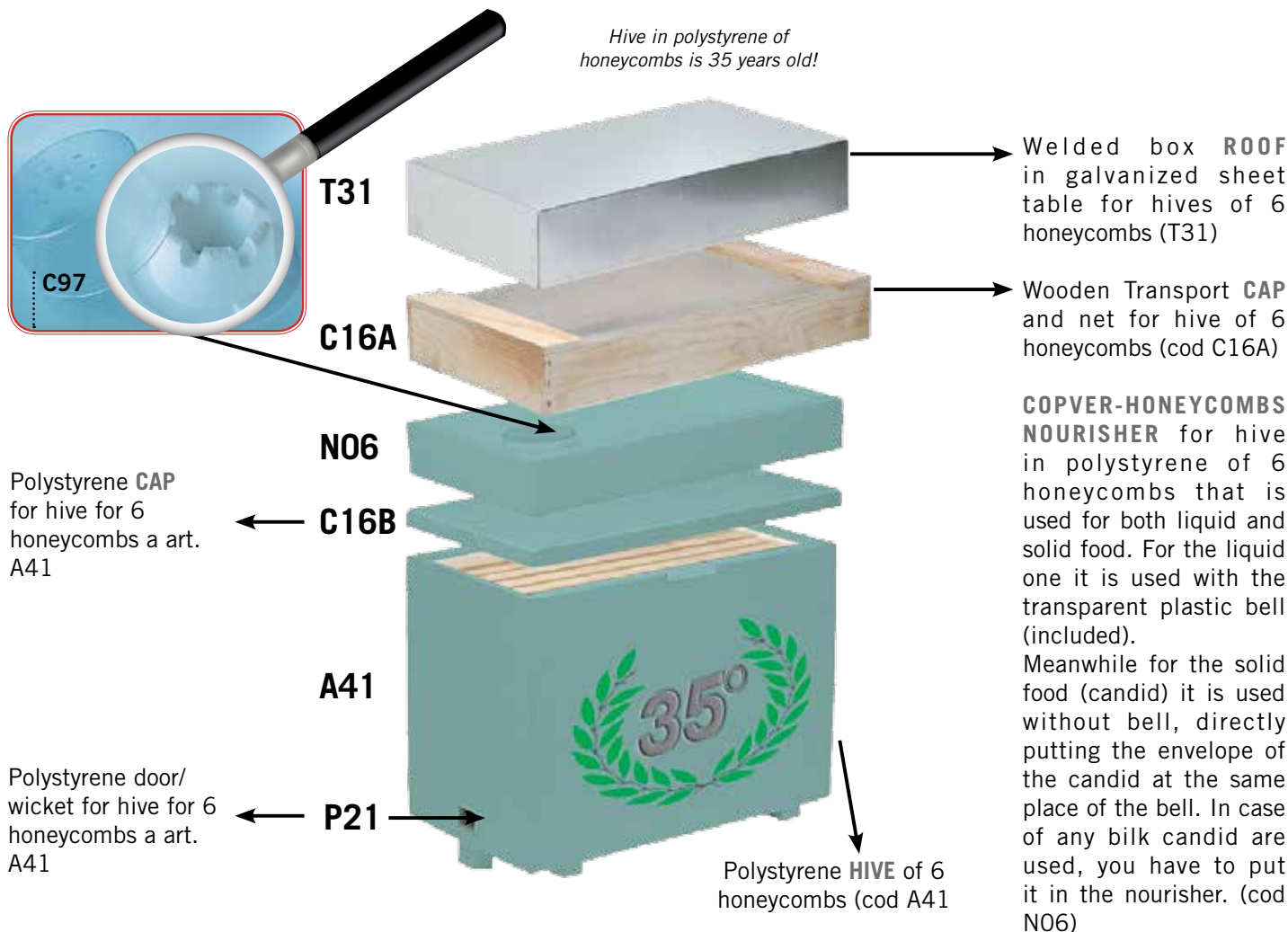
SPARE ANTI-WEAR DOOR

|      |  |
|------|--|
| A75  | La 10 Quarti 2014 10-comb or 5+5 HIVE, nest only, made of high-density polystyrene – as a standard: - box-type roof made of galvanised sheet iron only – feeder comb-cover made of polystyrene with 4-position disk and bell for feeder – border-strengthening spacer with bee-save space and hand-save edges – fixed antivarroa mesh – extractable bottom made of galvanised sheet iron – anti-wear polystyrene door - galvanised sheet iron door |
| A41  | 6-comb HIVE made of high-density polystyrene   |
| A43  | SMALL-SIZE HIVE for queen fecundation, made of high-density polystyrene complete with 4 plastic frames ART. T18 – metal queen excluder – fixed mesh bottom. Adjustable side opening, possibility of opening 2 8 mm. pre-holes for bee passage  |
| A74  | BEE ESCAPE on a small board with rise cm. 27.3 x 49 with 2-way bee escape disk   |
| A76  | Adapter for trap pollen ART. T16   |
| C103 | FEEDER COMB-COVER for 10-comb polystyrene hive with 4-position disk and bell for feeder (it may also be used on all D.B. 10-comb hives)  |
| C105 | COVER made of drilled metal plate for transport (it may also be used on all D.B. 10-comb hives)  |
| C106 | STAINLESS STEEL HIVE STAND (available in various sizes)  |
| C16  | COVER made of polystyrene and mesh for transport of 6-comb hives ART. A41  |
| C16A | COVER made of wood and mesh for transport of 6-comb hives ART. A41   |
| C97  | Spare BELL for round feeder for ART. N01 - N03 - N06 - C103  |
| D31  | DIAPHRAGM made of high-density polystyrene – for insertion into the nest frame to reduce the volume inside the hive  |
| D32  | Border strengthening SPACER for 6-comb hive ART. 41  |
| D33  | GALVANISED SHEET IRON DIAPHRAGM for insertion into the hive ART. A75 La 10 Quarti 201 to have 5 + 5  |
| E10  | Grated QUEEN EXCLUDER cm. 27.3x49 – for 6-comb polystyrene hives - ART. A41  |
| E14  | VERTICAL QUEEN EXCLUDER - BROOD STOPPER for ART. A75 la 10 Quarti 2014   |
| F54  | BOTTOM made of galvanised sheet iron for hive art. A75 La 10 Quarti 2014   |
| F55  | BOTTOM made of sheet steel for hive art. A75 La 10 Quarti 2014   |
| G03  | SMALL-SIZE CAGE for queens   |
| M60  | D.B. 6-comb SUPER made of high-density polystyrene - for polystyrene hive - A41  |
| N01  | FEEDER made of plastics, capacity gr. 1000   |
| N02  | Nest-type POCKET FEEDER h. cm 30x47 DADAMBLAT  |
| N06  | COMB-COVER FEEDER - Lt 1.7 - for polystyrene hive - ART. 41  |
| L16  | LARGE LEVER perfectly suitable for hives and supers made of polystyrene  |
| P22  | "Anti-wear" polystyrene DOOR for 10-comb hive for ART. A75   |
| P23  | Zinc-plated DOOR toothed on one side only with G25 guides type A - for 10-comb hive for ART. A75   |
| T00  | ELECTRO-WELDED BOX-TYPE ROOF made of galvanised sheet iron only for 10-comb hives or for ART. A75 La 10 Quarti 2014  |
| T16  | POLLEN TRAP made of plastics for hives with mesh / mobile bottom or for ART. A75 La 10 Quarti 2014   |
| T18  | Nylon SMALL-SIZE FRAME for queen fecundation (two halves)  |
| T31  | ELECTRO-WELDED BOX-TYPE ROOF made of galvanised sheet iron only for 6-comb hives - ART. A41  |
| T37  | TRAP TEST FOR AETHINA TUMIDA cm 23 in length   |
| T38  | TRAP TEST FOR AETHINA TUMIDA cm 11 in length   |
| T39  | TRAP OIL – OIL FOR THE TRAP TEST FOR AETHINA TUMIDA 473.2 m  |
| T40  | KIT CONSISTING OF 10 CM 23 TRAPS AND TRAP OIL WITH MEASURER  |



# ARNIA IN POLISTIROLO DA 6 FAVI

*Hive in polystyrene of honeycombs is 35 years old!*



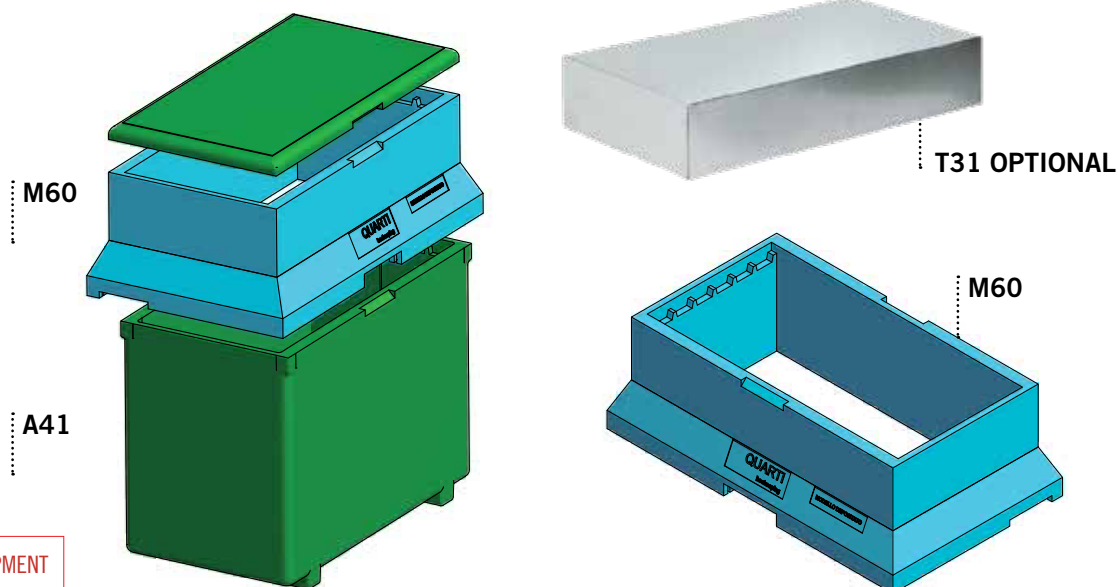
## **D32** BORDER-STRENGTHENING SPACER

FOR 6-COMB HIVE - ART. 41  
FOR 6-COMB SUPER - ART. M60



## **M60** 6-COMB SUPER MADE OF

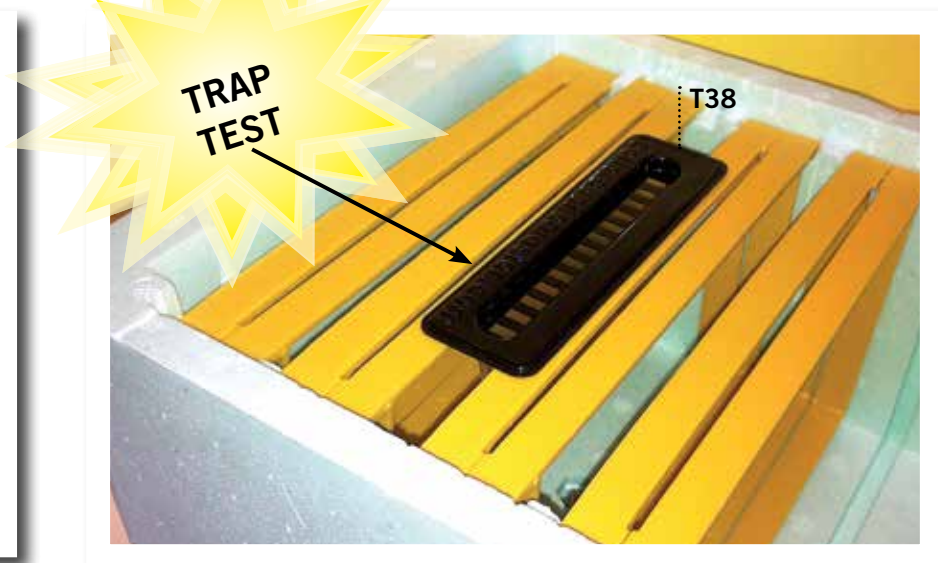
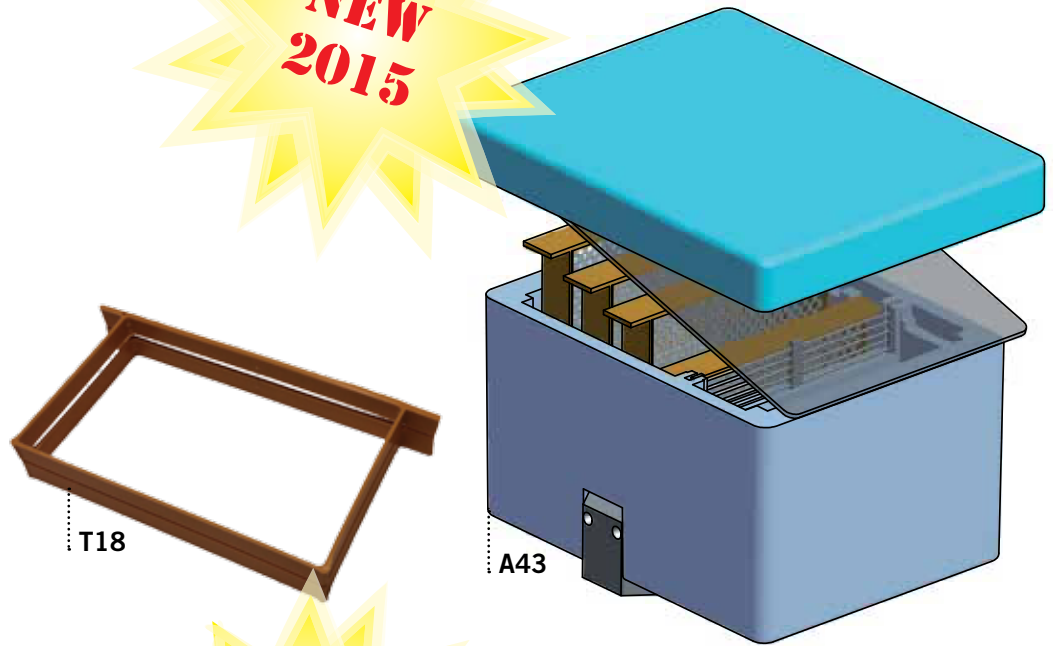
HIGH DENSITY POLYSTYRENE - FOR POLYSTYRENE HIVE A41



# A43 A43 SMALL-SIZE HIVE FOR QUEEN FECUNDATION MADE OF HIGH DENSITY POLYSTYRENE

**NEW  
2015**

|     |   |
|-----|---|
| A43 | SMALL-SIZE HIVE for queen fecundation, made of high-density polystyrene complete with 4 plastic frames ART. T18 – metal queen excluder – fixed mesh bottom. Adjustable side opening, possibility of opening 2 8 mm. pre-holes for bee passage |
| T18 | Nylon SMALL-SIZE FRAME for queen fecundation (two halves)   |
| T37 | TRAP TEST FOR AETHINA TUMIDA cm 23 in length  |
| T38 | TRAP TEST FOR AETHINA TUMIDA cm 11 in length  |
| T39 | TRAP OIL – OIL FOR TRAP TEST FOR AETHINA TUMIDA 473.2 m.  |
| T40 | KIT CONSISTING OF 10 CM 23 TRAPS AND TRAP OIL WITH MEASURER   |
| G03 | SMALL CAGE for queens   |



## D31 DIAPHRAGM

HIGH DENSITY POLYSTYRENE DIAPHRAGM THAT HAS TO PU INTO THE LITTLE NEST FRAME D.B. **N.B. WOODEN FRAME NOT INCLUDED**

